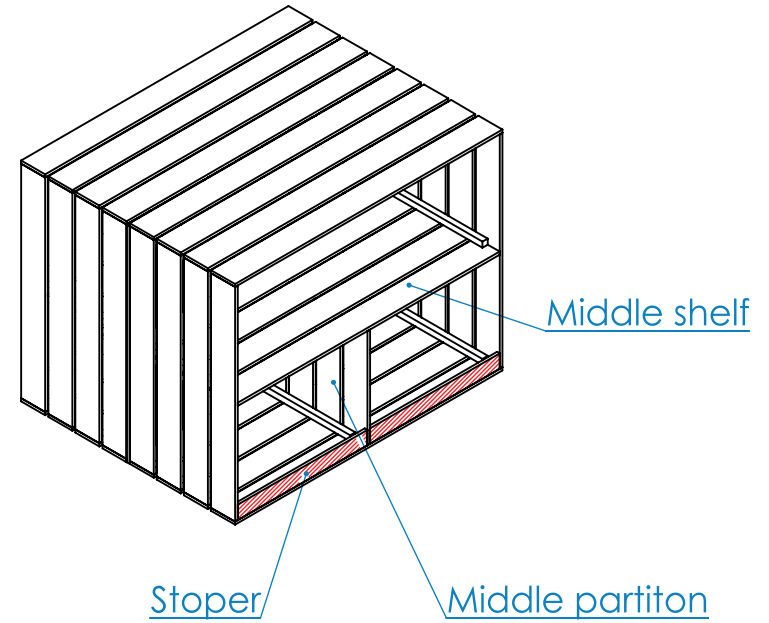
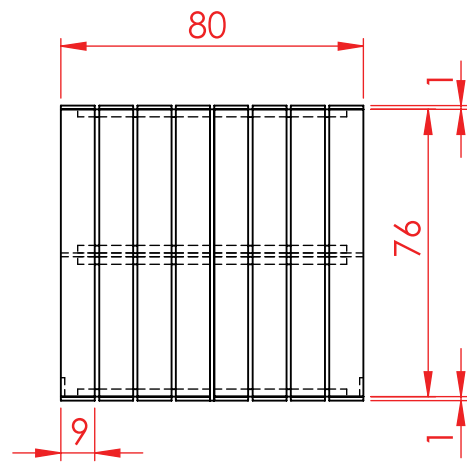
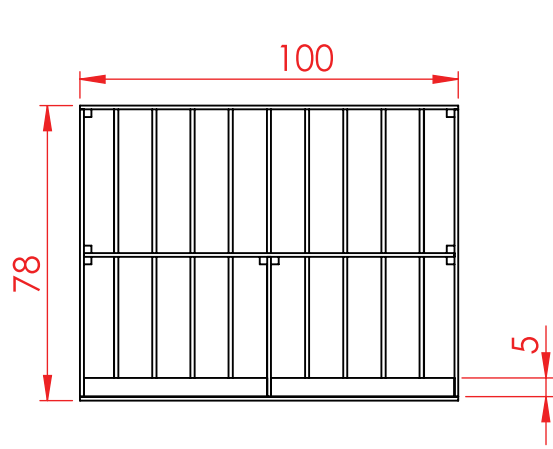
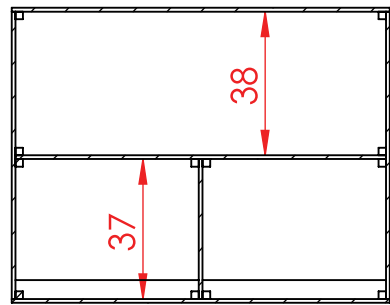


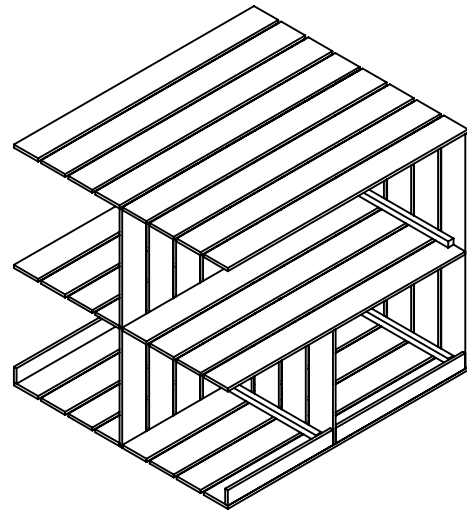
TITLE:	
Wood Stall	
MATERIAL: Pine wood 10 mm	
DATE:	FINISH: Water based vernish
SHEET 1 OF 5	MEASURMENRS IN cm



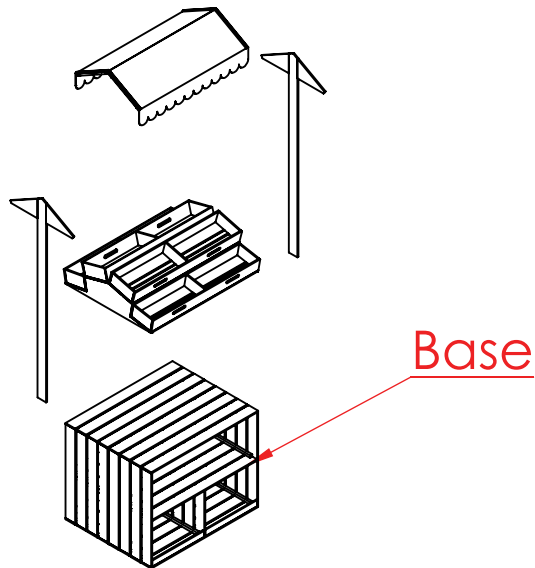
Please use ONLY 10 mm thickness wood



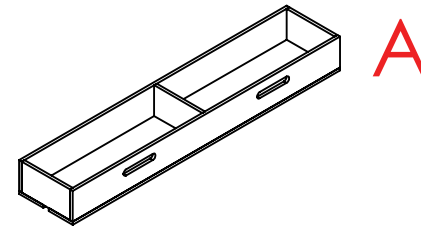
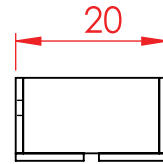
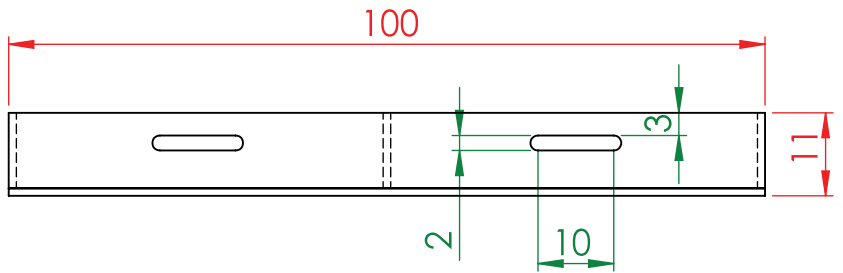
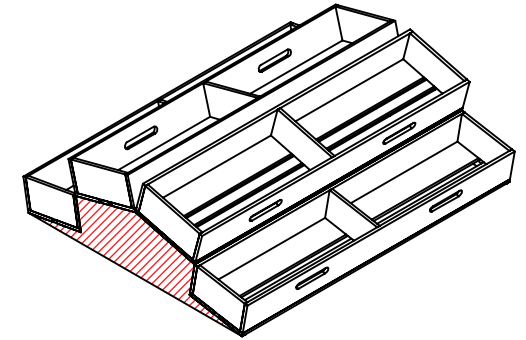
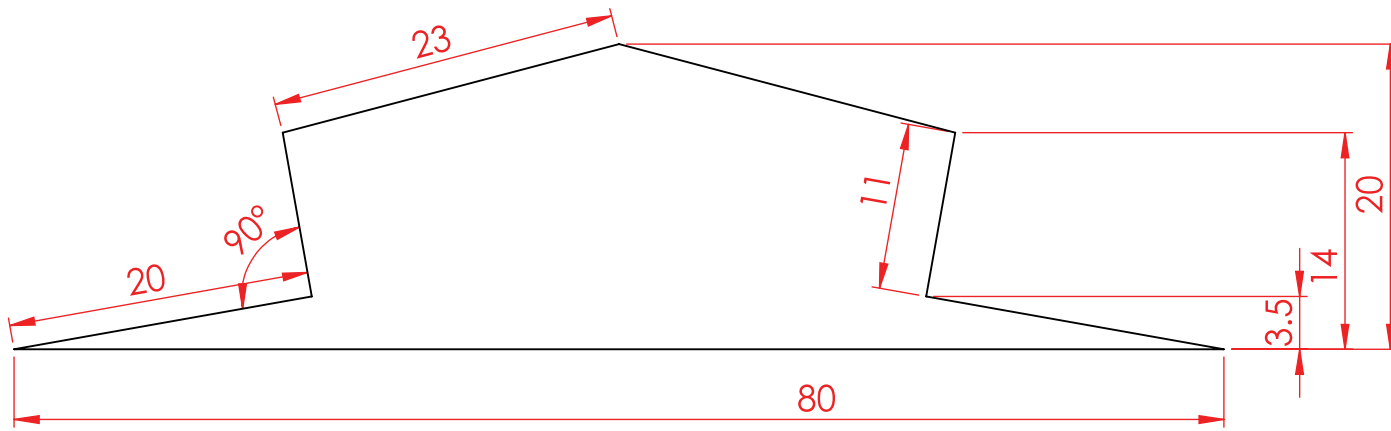
SECTION view - front



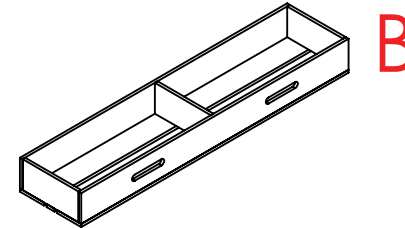
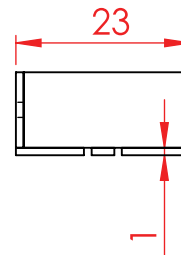
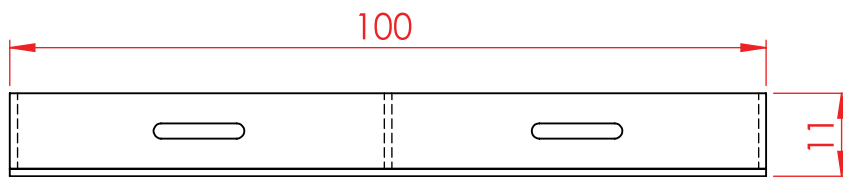
SECTION view- isometric



TITLE:	
Wood Stall	
MATERIAL: Pine wood 10 mm	
DATE:	FINISH: Water based vernish
SHEET 2 OF 5	MEASURMENRS IN cm

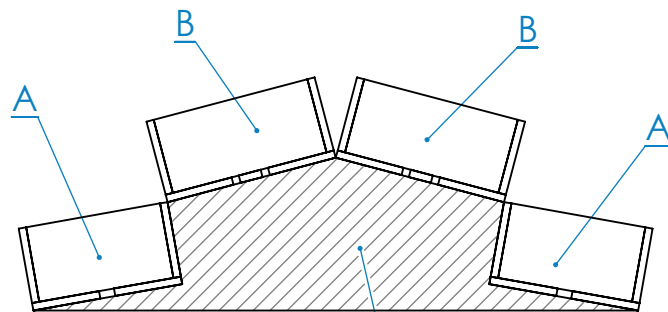


A



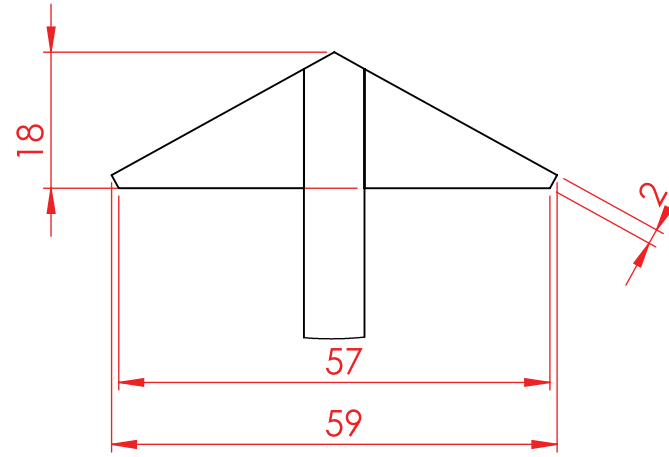
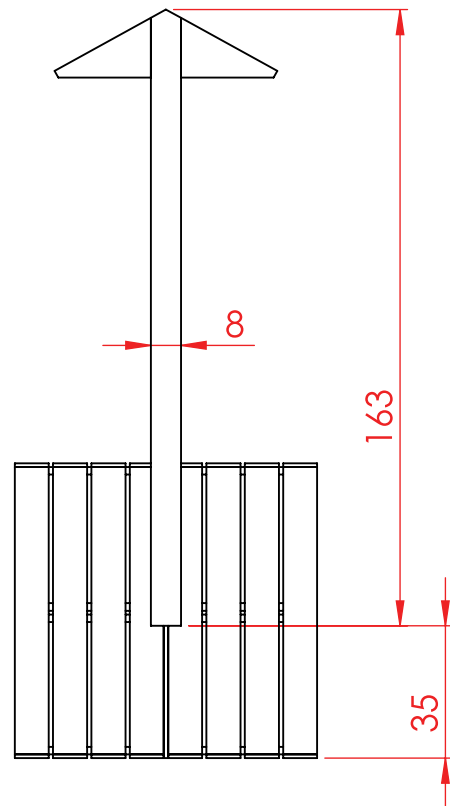
B

Please use ONLY 10 mm thickness wood



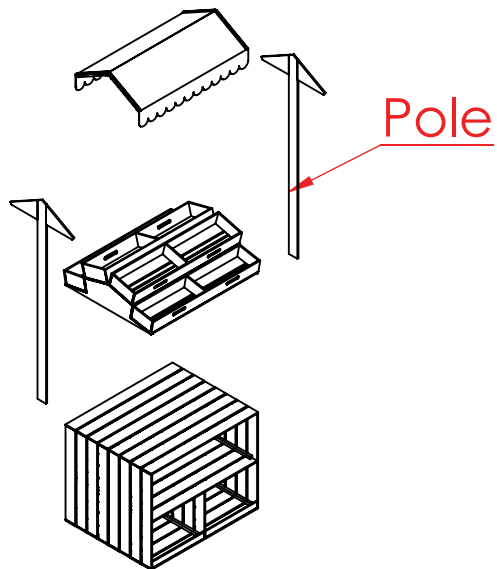
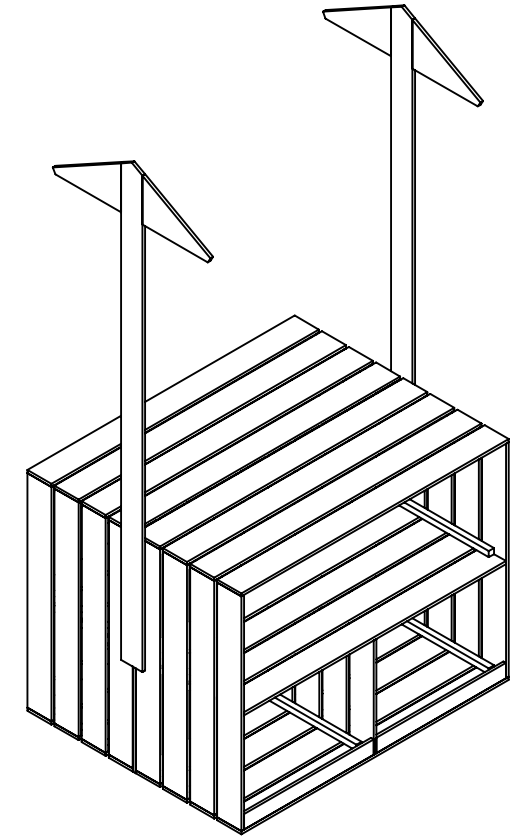
[Attached Cnc file for cutting](#)

TITLE:	Wood Stall
MATERIAL:	Pine wood 10 mm
DATE:	FINISH: Water based vernish
SHEET 3 OF 5	MEASURMENRS IN cm

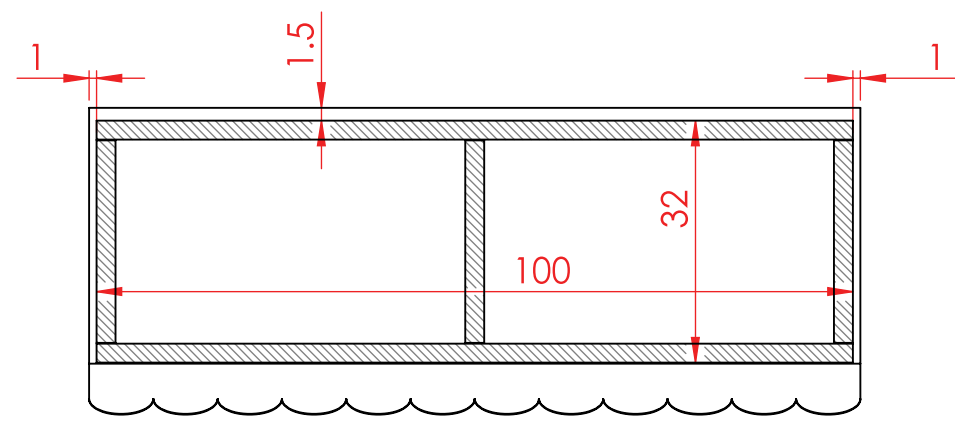


DETAIL view

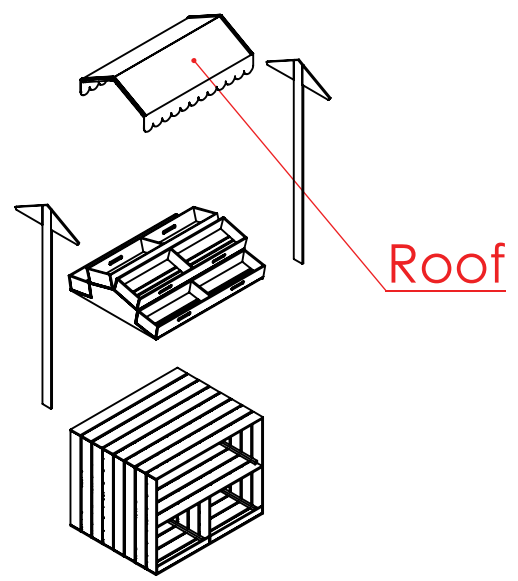
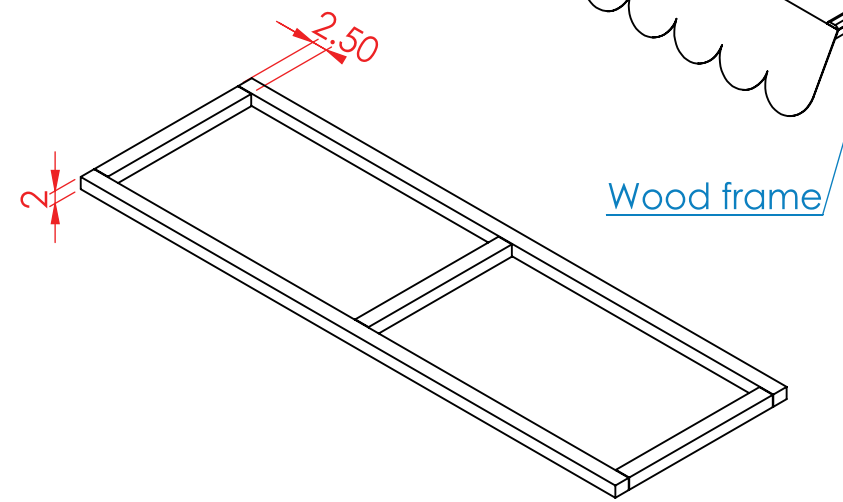
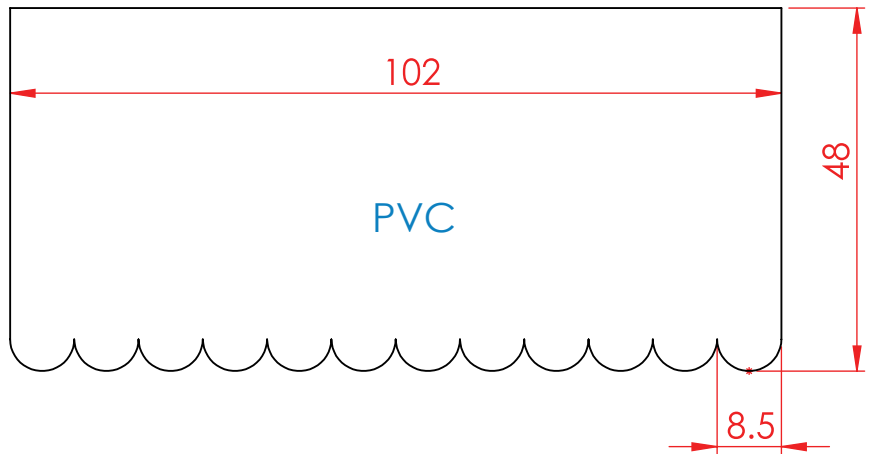
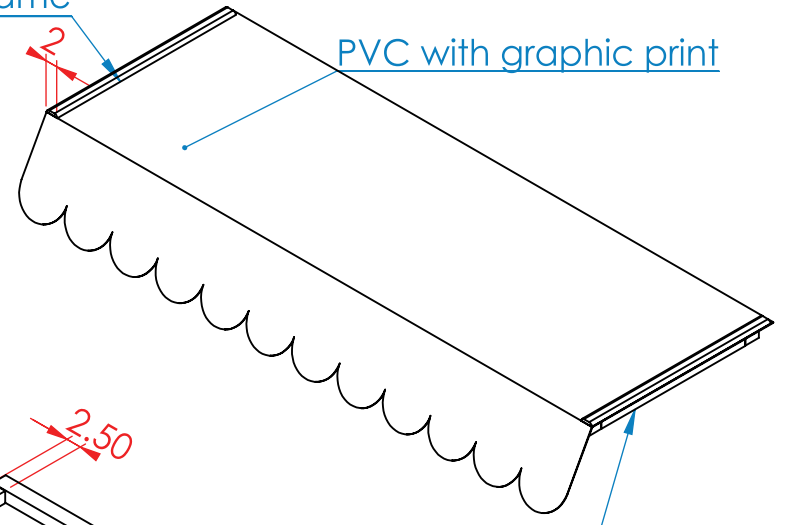
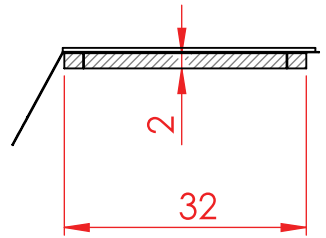
Please use ONLY 10 mm thickness wood



TITLE:	
Wood Stall	
MATERIAL: Pine wood 10 mm	
DATE:	FINISH: Water based vernish
SHEET 4 OF 5	MEASURMENRS IN cm



Use narrow wood plank to attache pvc to frame



TITLE:
Wood Stall

MATERIAL: Pine wood 10 mm

DATE:

FINISH: Water based vernish

SHEET 5 OF 5

MEASURMENRS IN cm